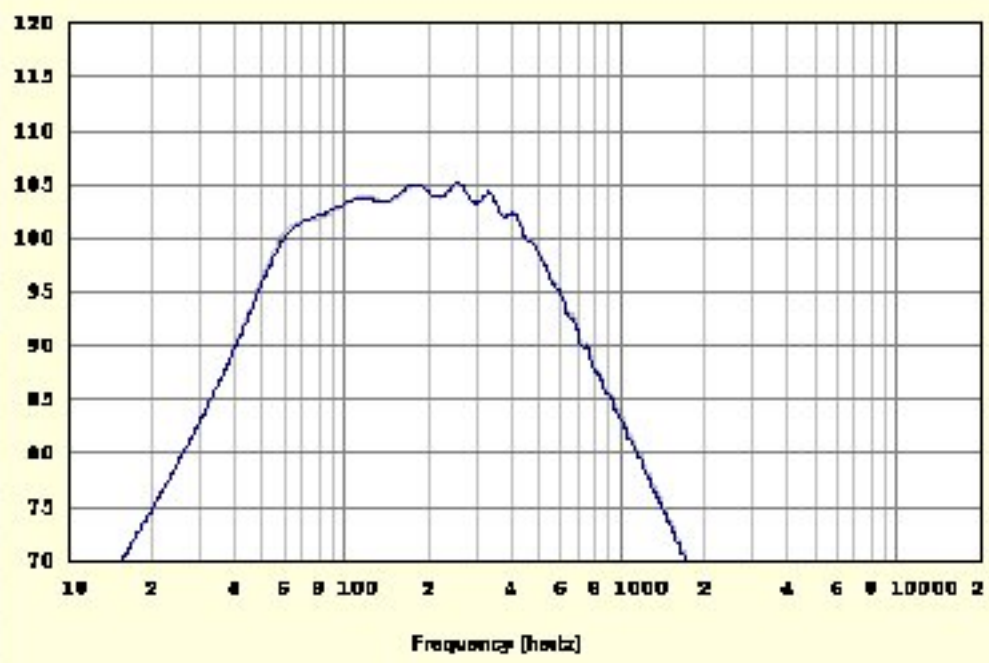
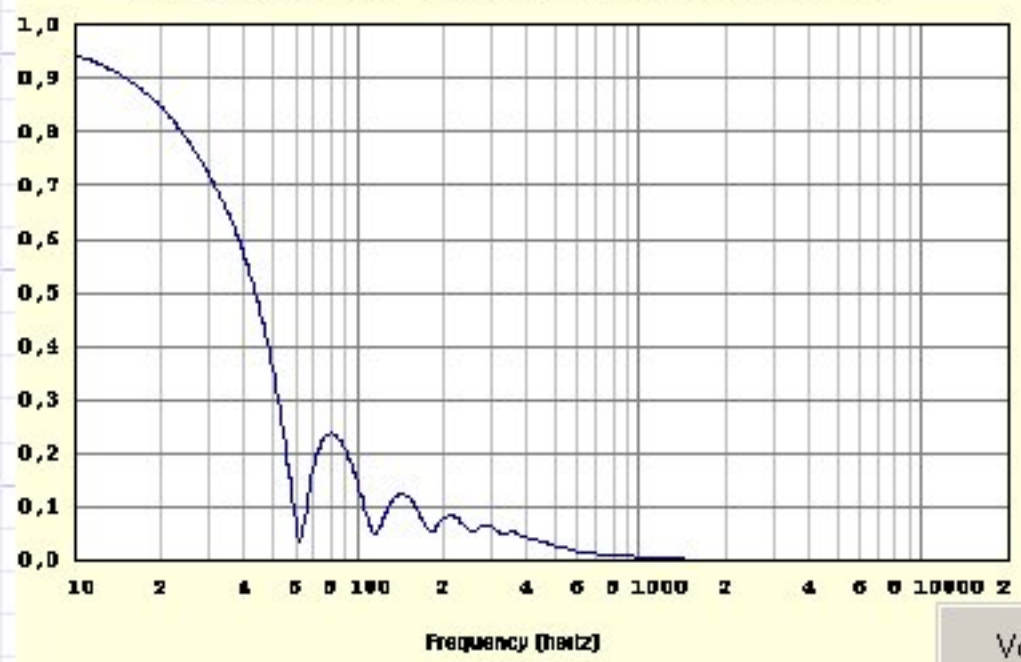


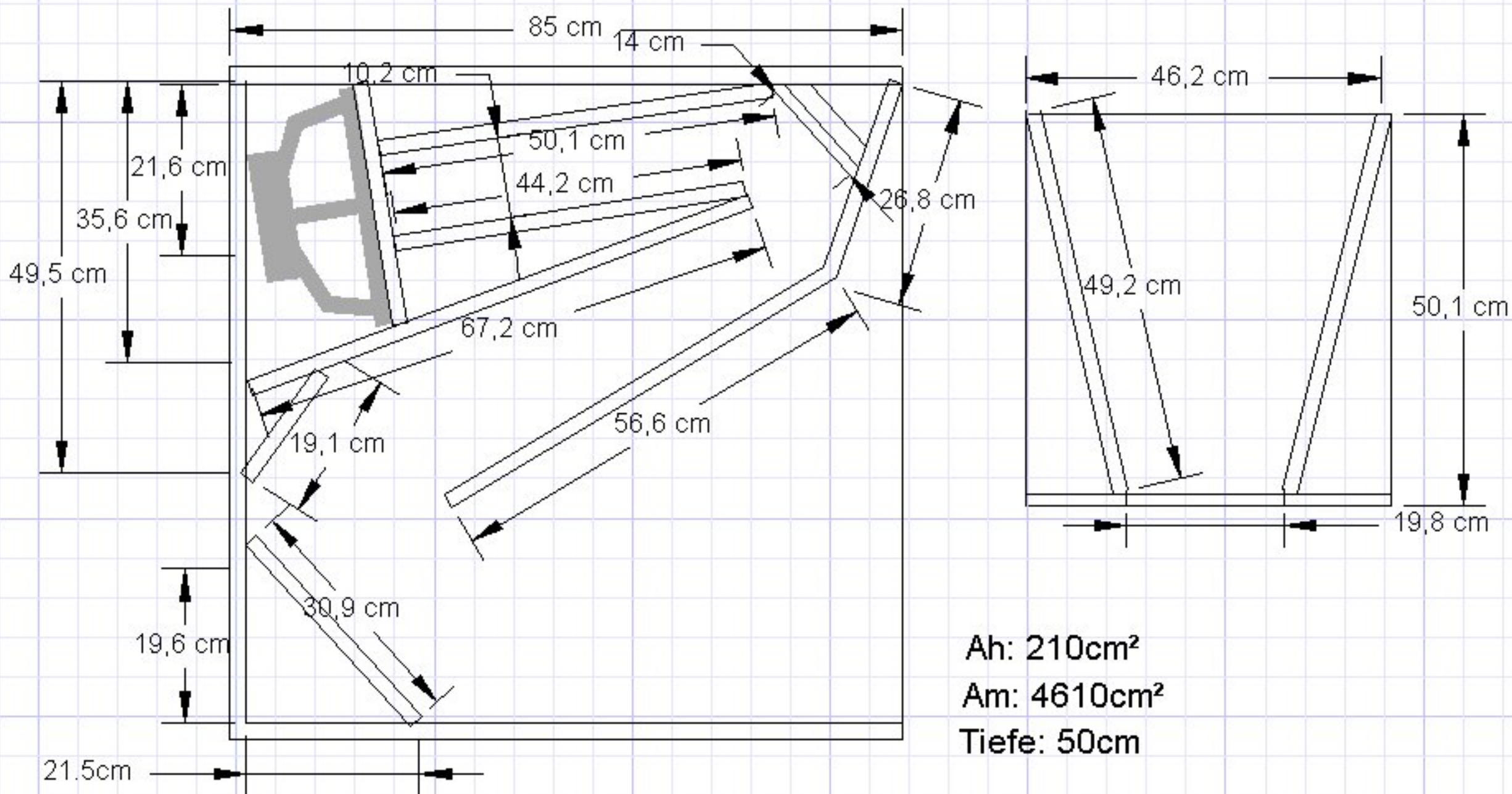
Ah: 210cm<sup>2</sup>  
 Am: 4610cm<sup>2</sup>  
 Tiefe: 50cm

SPL Response (dB) - Plane Wavefront - Resonances Not Masked



Diaphragm Displacement [mm] - Plane Wavefront - Resonances Not Masked





# MELCA



Un mundo de electronica